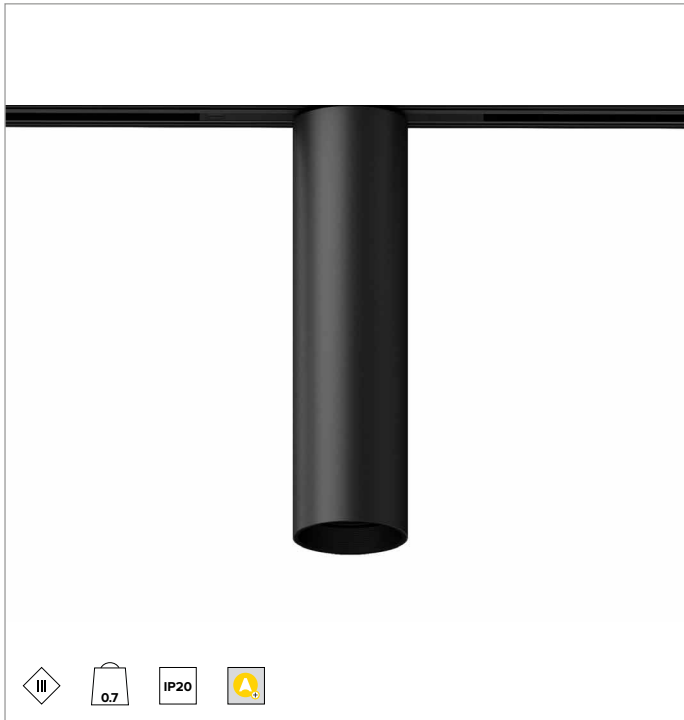
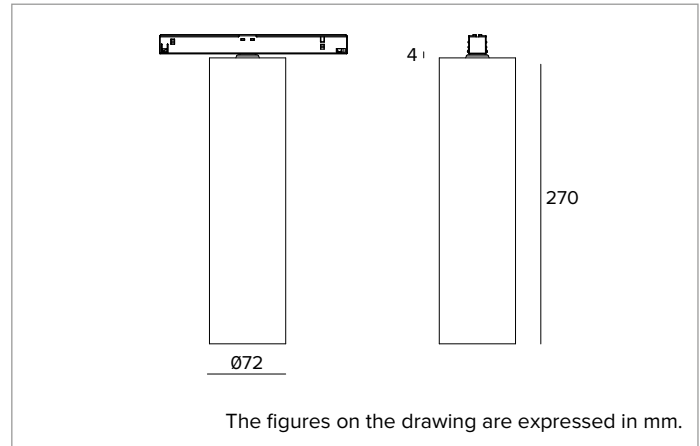


1T9839DA | FORTYEIGHT Label 7 - Fix

Professional low voltage LED fixture for direct lighting



	4000K	H(m)	D(m)	Emax(lx)		
	Ra90		16°			
	Fixture Power	11W	1	0.28	8298	
	Source Flux	1569lm	2	0.56	2074	
	Fixture Flux	1043lm	3	0.84	922	
	Efficacy	95lm/W	4	1.11	519	
TS1876	Imax=5289cd/klm	Imax	8298cd	5	1.39	332



SOURCE

High efficiency Chip on Board LED Ra90. 3500K on request.

Energy efficiency class: E

Nominal power: 10W

Nominal flux: 1569lm

Colour rendering index: 90

Rf: 90

Rg: 98

CCT nominal: 4000K

SDCM: 1.5

Lifetime (L80/B10): >50000h tq +25°C

ILLUMINOTECHNICAL CHARACTERISTICS

SP version - convex faceted highly reflective anodised aluminium precision optics, holographic diffusion filter and black silicone cut off ring.

Optic: REFLECTOR

Beam angles: SP

Optical efficiency: 66%

Fixture flux: 1043lm

Luminous efficacy: 95lm/W

Photobiological safety: Compliant with RG1 low risk group

MECHANICAL CHARACTERISTICS

Cylindrical body in aluminum obtained from an extrusion process and coated with powder paint.

Colour and finish: Deep black

Dimensions: D=72mm

Weight: 0.7Kg

Version: DALI

Degree of protection: IP20

ELECTRICAL CHARACTERISTICS

DALI version, track power supply. Casambi control system available using a dedicated accessory.

Fixture Power: 11W

Power supply: 48Vdc

Insulation Class: CLASS 3

Class F: YES

Ambient temperature: 0°C / +25°C

INSTALLATION

Quick coupling system for mounting the product on the track.

NOTES

Not polarized fixture. Black adapter. 110-277Vac version available on request. Not compatible with Fortyeight Trimless Deep track. Commissioning of the control system via free APP; the intervention of a specialist technician can be quoted on request.

WARRANTY

5 years.

WARNING

Luminaire designed for disposal/recycling at end-of-life. Replaceable (LED only) light source by a professional. Replaceable control gear by a professional.

Due to the technological evolution of the electronic components, the data provided may be updated, and as such, confirmation must be requested during the order process.

Luminous flux and power supply have +/-10% tolerances with respect to the indicated value. tq +25°C (CIE 121).

We reserve the right to make technical changes.

Targetti Sankey S.r.l.
Via Pratese, 164
50145 Firenze - Italy
Tel: +39 055 37911
targetti.com
targetti@targetti.com

CCIAA Firenze
Share Capital:
€ 500.000,00
VAT N. (IT):
01537660480
R.E.A.: FI-275656

TARGETTI